



TAYLORED
OFFSHORE SERVICES

LONESTAR

DIVE SUPPORT VESSEL

SPECIFICATIONS

Vessel

Type: Aluminium Punt
Built: Cairns Custom Built 1993
Survey: 2C, 6 PAX



Dimensions

Length overall: 10.6 m
Beam: 3 m
Depth: 0.8 m
Draft: 0.3 m
Clear Deck: 3.5m x 3 m

Deck Equipment

Hiab: Maxilift ML270

Machinery

Main engine: 2 x Honda 130 hp

Deck Equipment

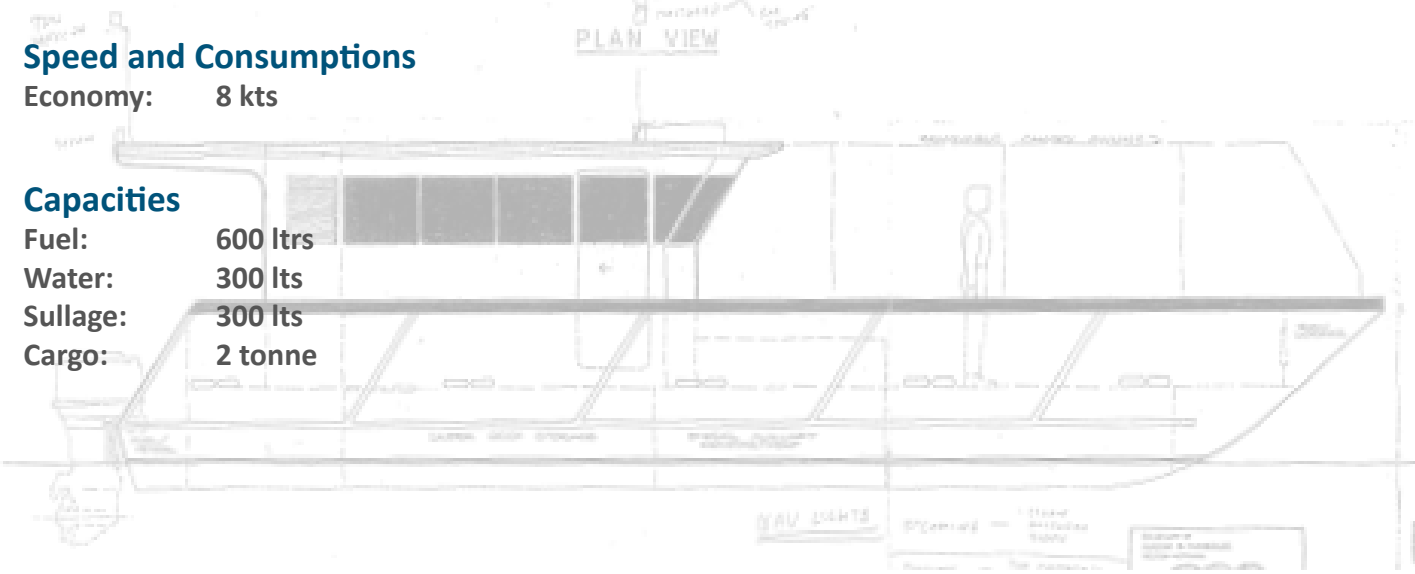
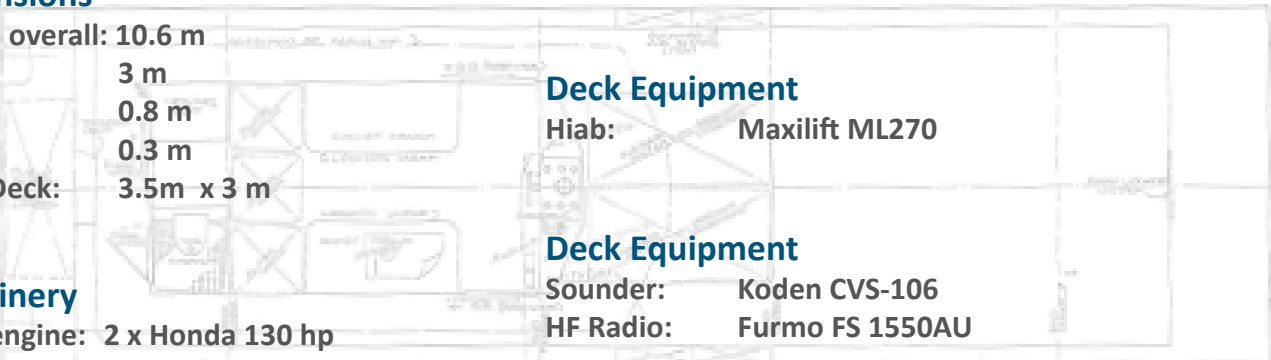
Sounder: Koden CVS-106
HF Radio: Furmo FS 1550AU

Speed and Consumptions

Economy: 8 kts

Capacities

Fuel: 600 ltrs
Water: 300 lts
Sullage: 300 lts
Cargo: 2 tonne



Enquiries:

admin@tayloredoffshore.com.au

PH: +61 7 4035 6510

www.tayloredoffshore.com.au